

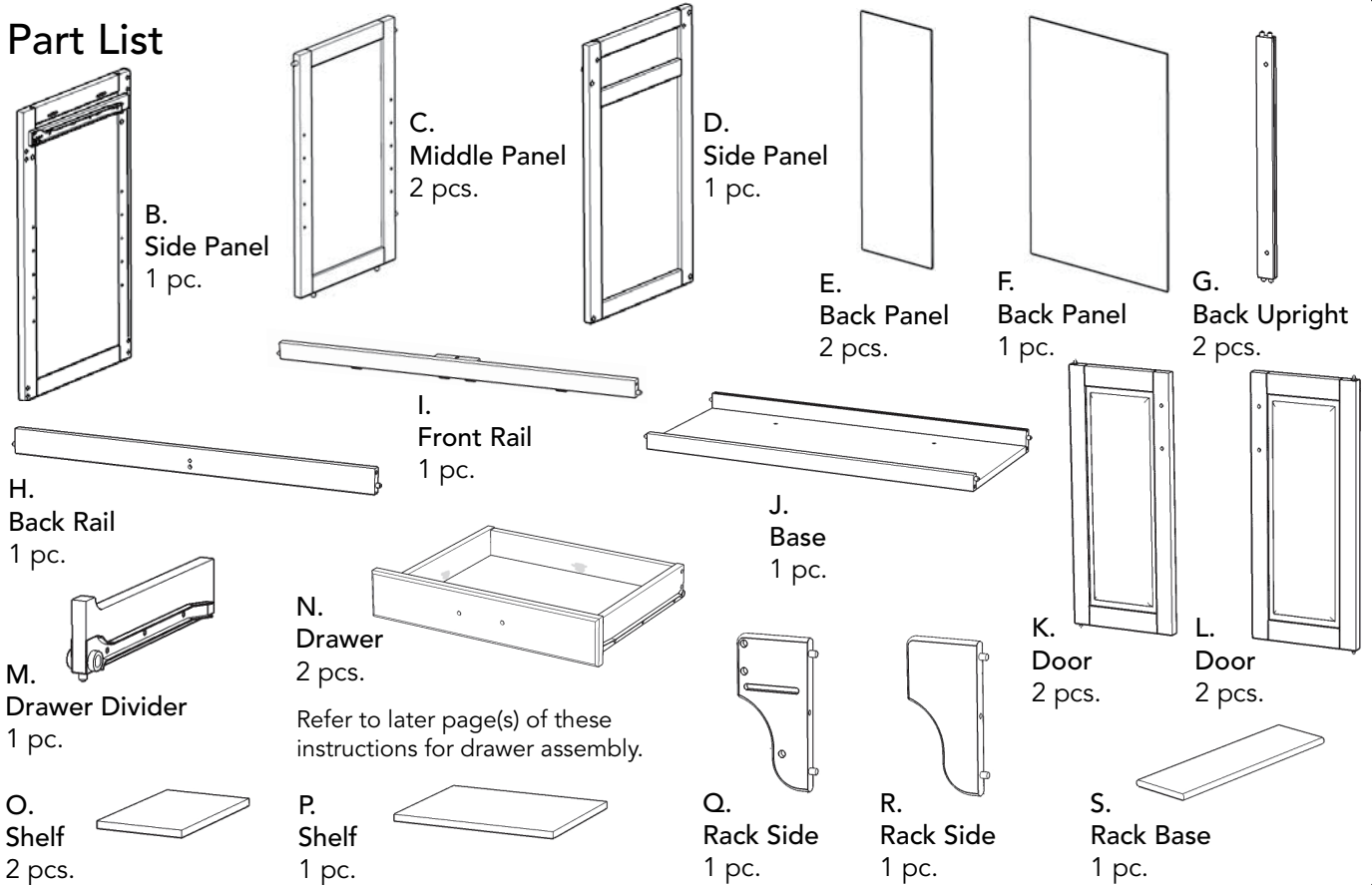
IMPORTANT

Carefully remove all the parts from the carton and place them individually on a soft cloth to prevent scratches or other damage.

Carefully and strictly follow these assembly instructions to ensure a completed product as designed.

Do not use power tools above 8 volts to assemble.

Part List



Hardware List



9100 Top carton is also needed for assembly.

Tool(s) required for assembly: Phillips screwdriver

Assembly Instructions 2/7

IMPORTANT

- Use a soft cloth between these parts and the floor.
- Do not use power tools above 8 volts to assemble.
- Do not tighten all the screws until each part is properly assembled.
- Keep Hex Wrench as the bolts may need to be tightened in the future.

STEP 1

Attach Side Panel (B) to Base (J) with Head Cap Bolts. (See Figure 1)

Attach Back Uprights (G) to Middle Panels (C), then attach to unit.

Note: Assemble so Arrow labels on Back Uprights (G) point to each other.

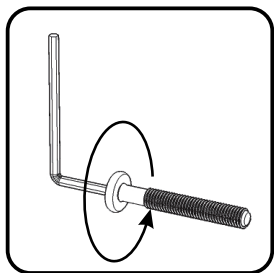
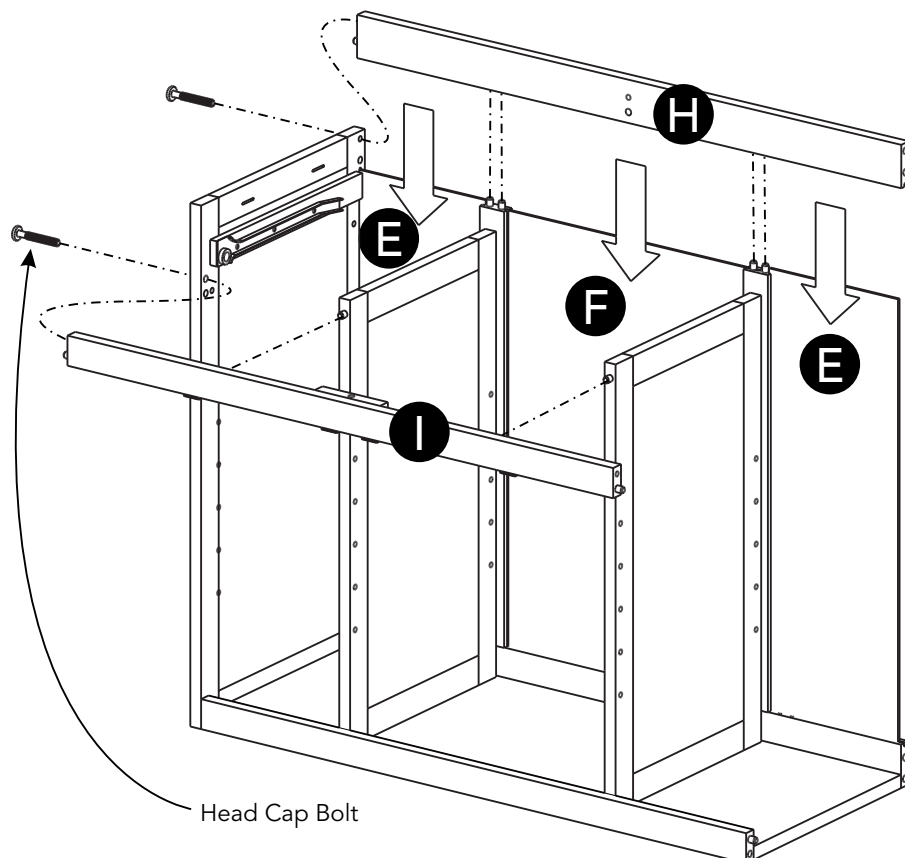
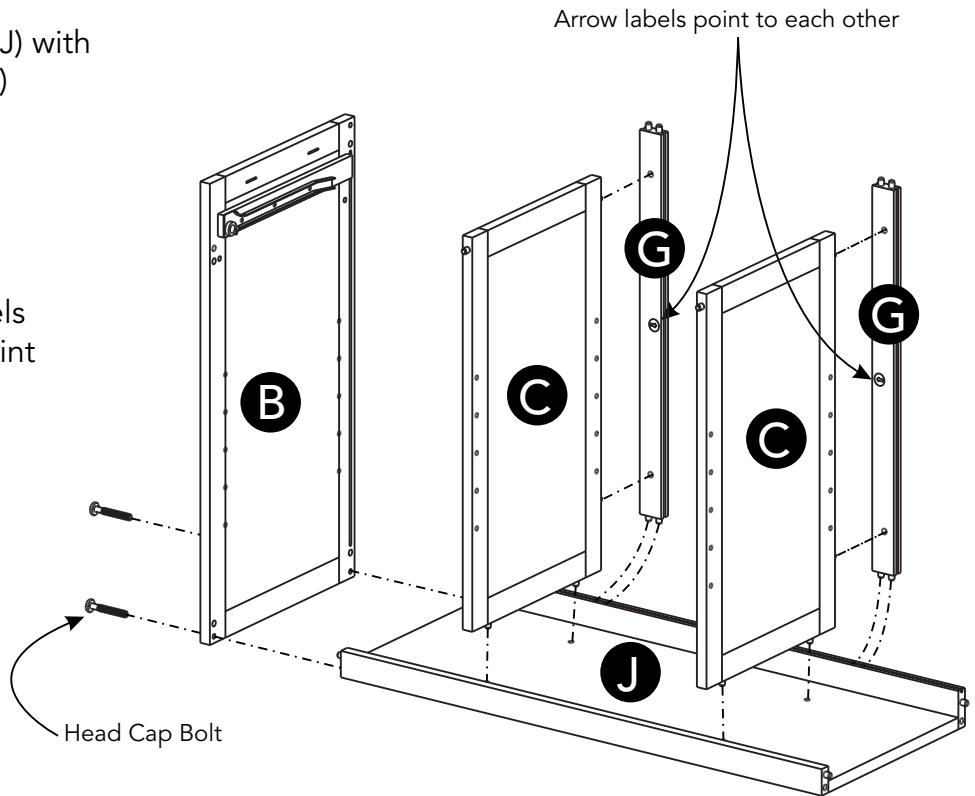


Figure 1



STEP 2

Slide Back Panels (E) and (F) into position.

Attach Back Rail (H) to unit with Head Cap Bolt.

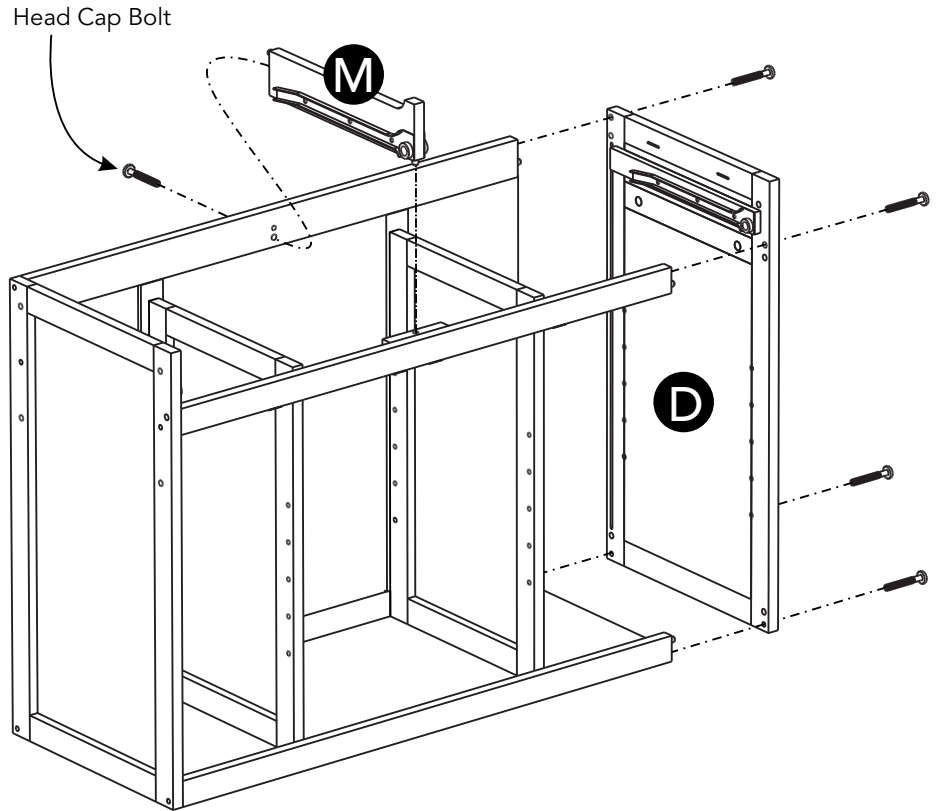
Attach Front Rail (I) to unit with Head Cap Bolt.

Assembly Instructions 3/7

STEP 3

Attach Drawer Divider (M) to unit with Head Cap Bolt.

Attach Side Panel (D) to unit with Head Cap Bolts.



STEP 4

Turn unit upside down.

Attach Casters to unit with Wood Screws into pre-drilled holes, with Locking Casters at front. (See Figure 2)

Note: Arrow label indicates front of unit.

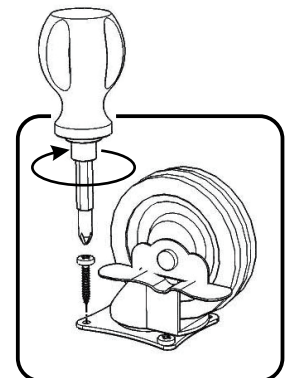
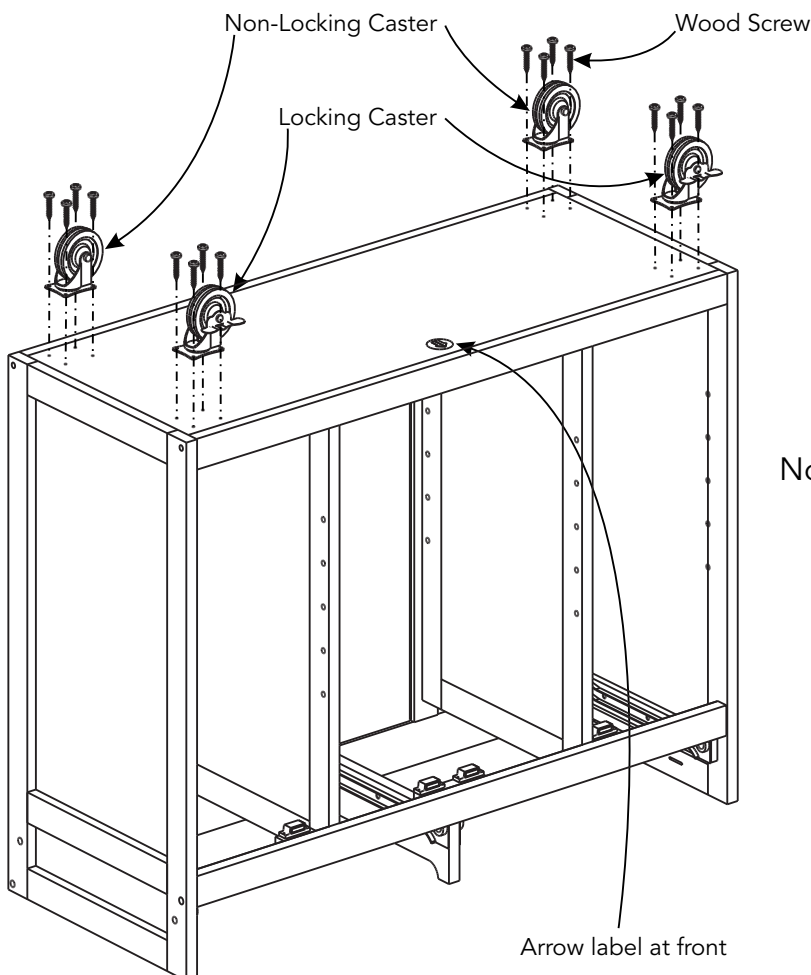


Figure 2

Assembly Instructions 4/7

STEP 5

Turn unit over to its upright position.

Attach Rack Side (R) to unit with Head Cap Bolt. (See Figure 3)

Slide Rack Base (S) and Pipes into Rack Side (R).

Attach Rack Side (Q) to unit with Head Cap Bolt.

Attach Towel Bar to unit with Head Cap Bolts for Towel Bar. (See Figure 4)

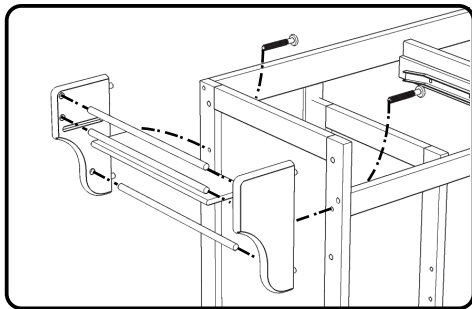
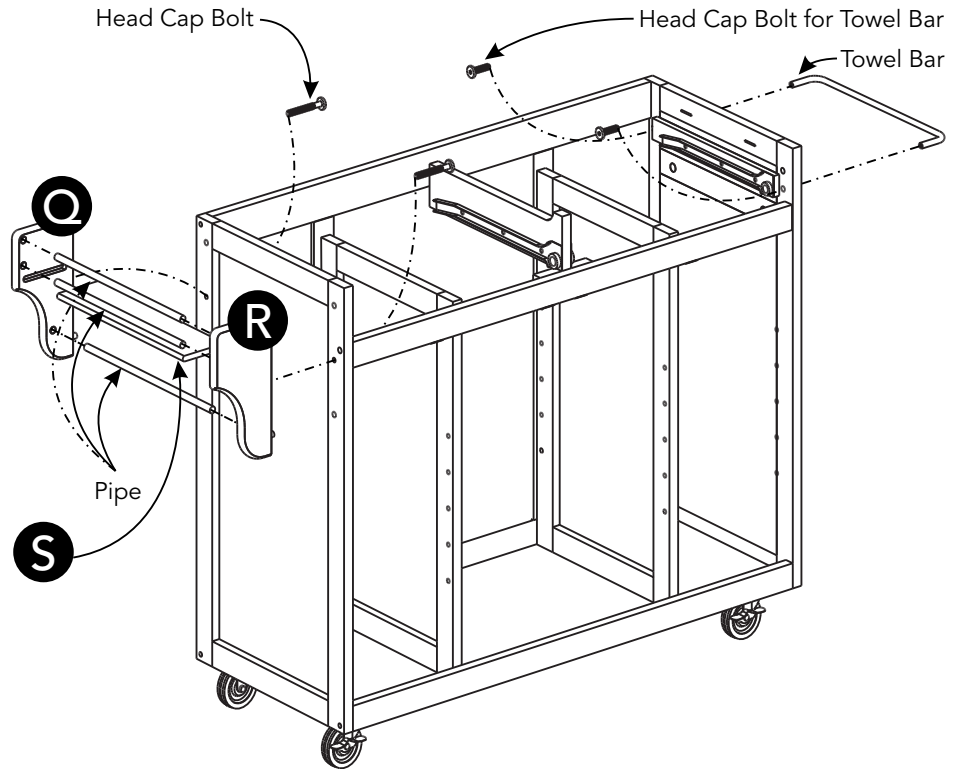


Figure 3

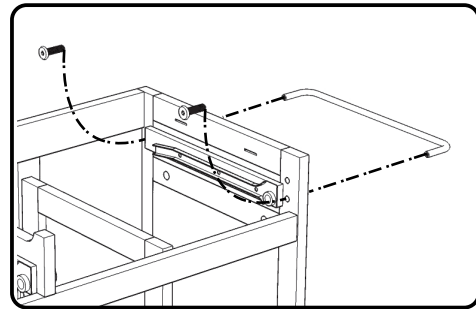
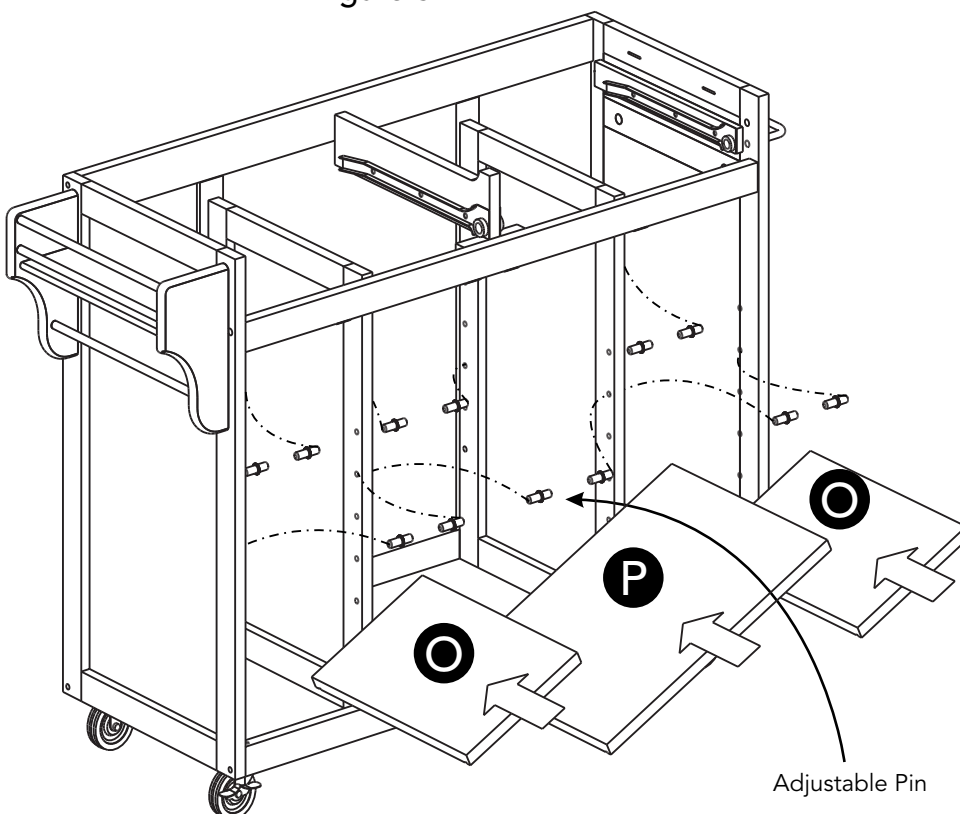


Figure 4



STEP 6

Insert Adjustable Pins into side panels and middle panels at desired level.

Place Shelves (O) and (P) into position.

Assembly Instructions 5/7

STEP 7

Attach Doors (K) and (L) by inserting lower spring pins into holes in unit, then inserting upper spring pins into holes in unit. (See Figure 5)

Attach Handles to Doors (K) and (L) with Machine Screws. (See Figure 6)

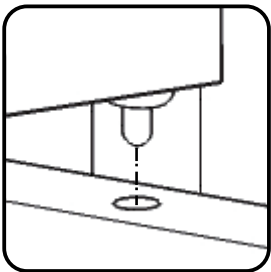
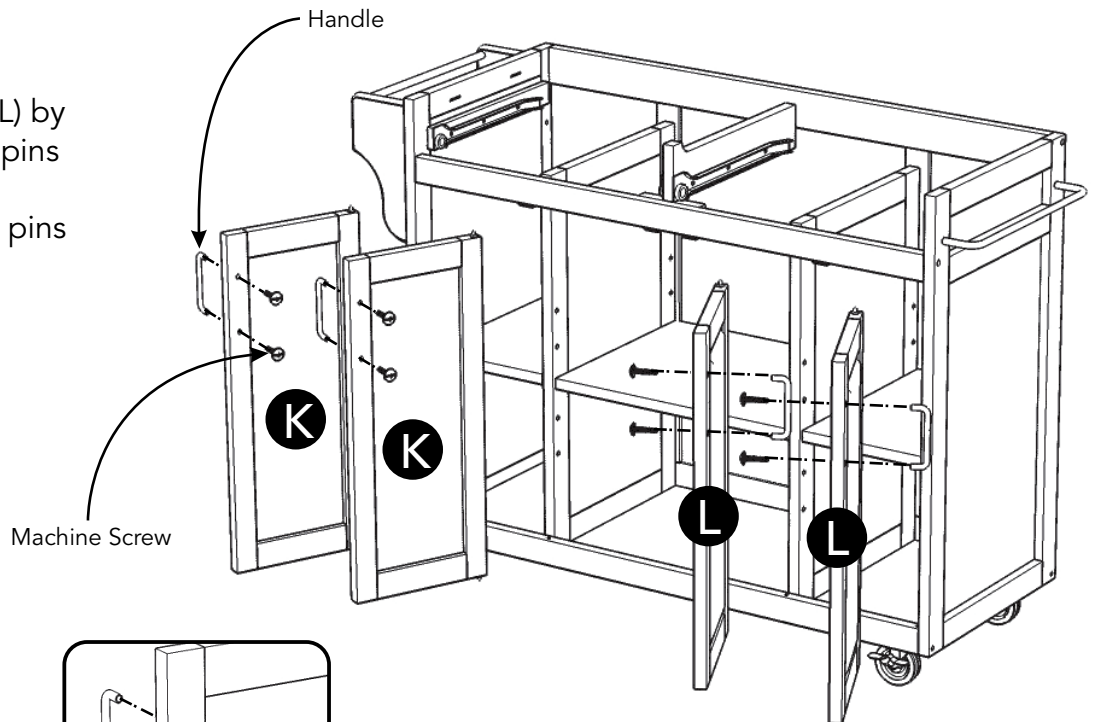


Figure 5

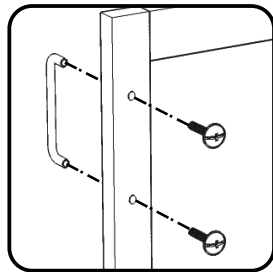
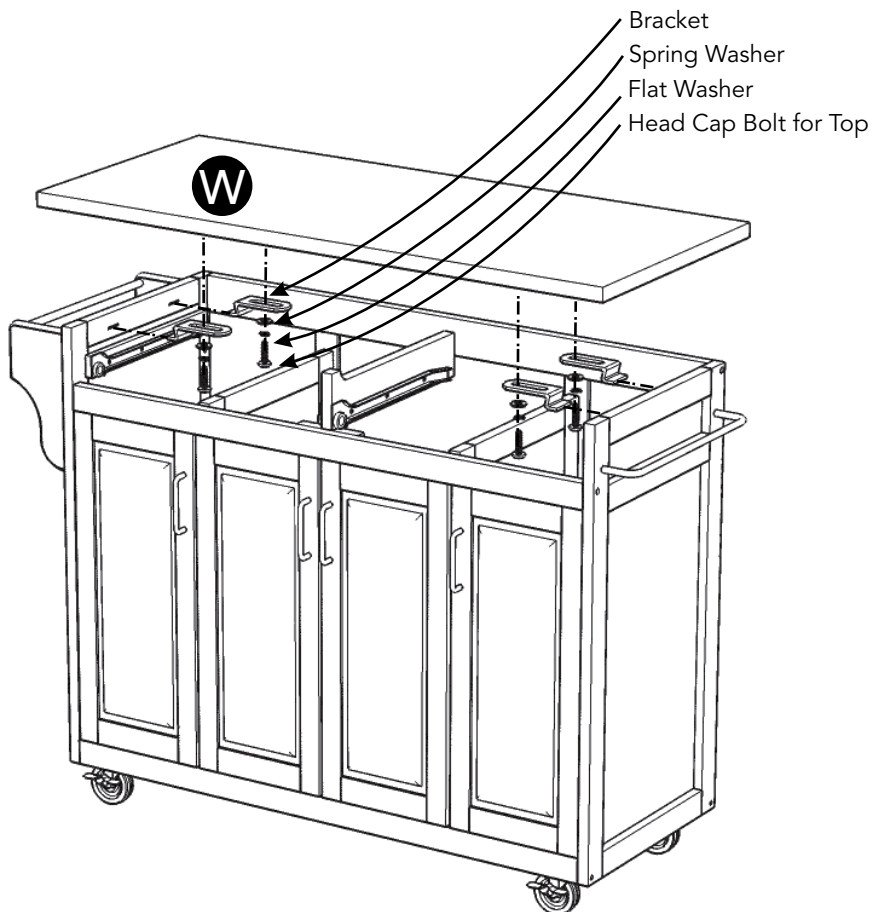


Figure 6



STEP 8

Attach Top (W) to unit with Brackets, Flat Washers, Spring Washers and Head Cap Bolts for Top. (See Figure 7)

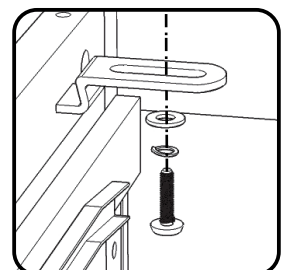
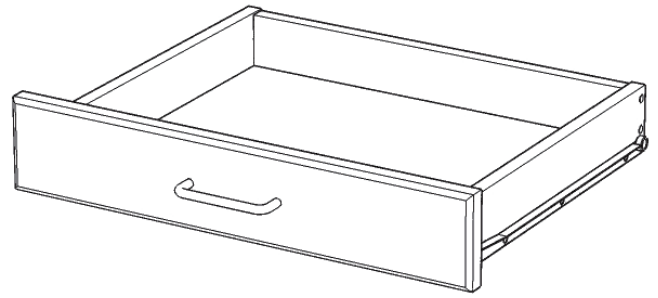


Figure 7

Assembly Instructions 6/7

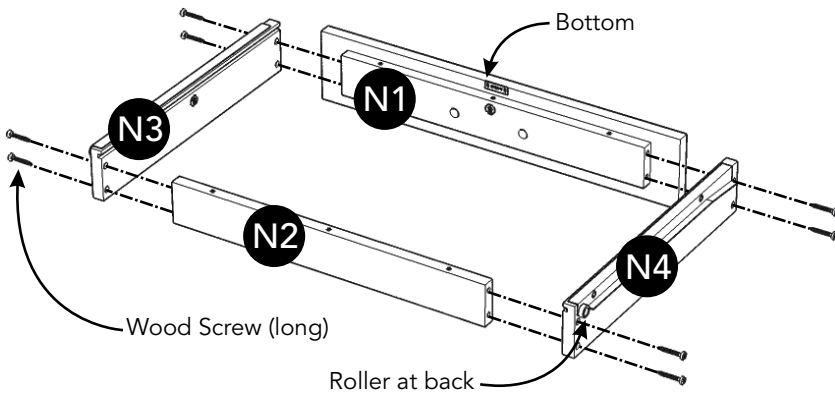
Drawer (N)



STEP 9

Attach Drawer Front (N1) and Drawer Back (N2) to Drawer Side (N3) with Wood Screws (long).

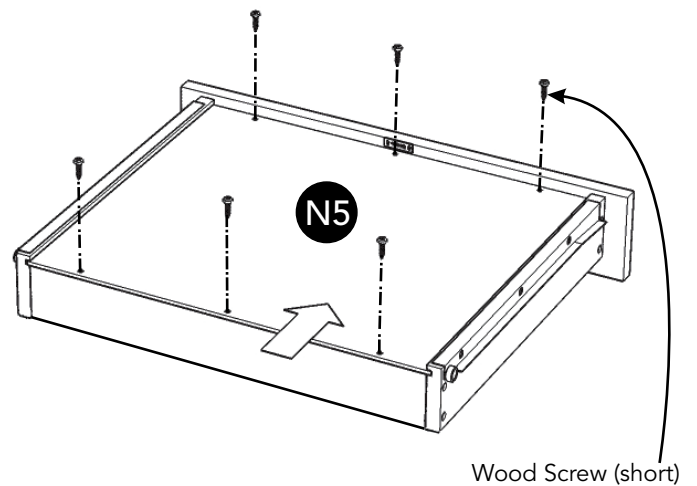
Attach Drawer Side (N4) to unit with Wood Screws (long).



STEP 10

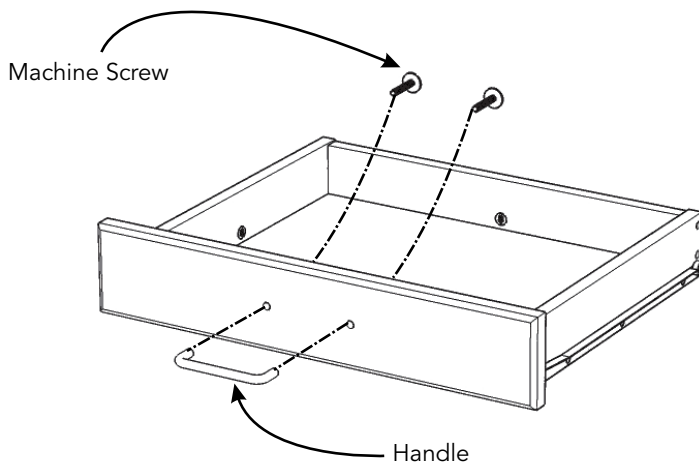
Slide Drawer Bottom (N5) into groove.

Attach Drawer Bottom (N5) to unit with Wood Screws (short).

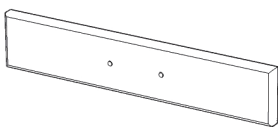


STEP 11

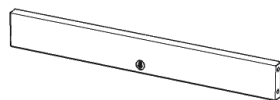
Attach Handle with Machine Screws.



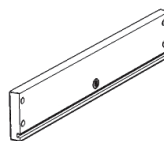
Part List



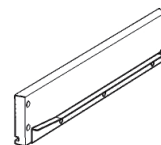
N1.
Drawer Front
2 pcs.



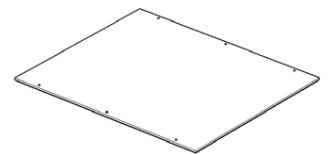
N2.
Drawer Back
2 pcs.



N3.
Drawer Side
2 pcs.



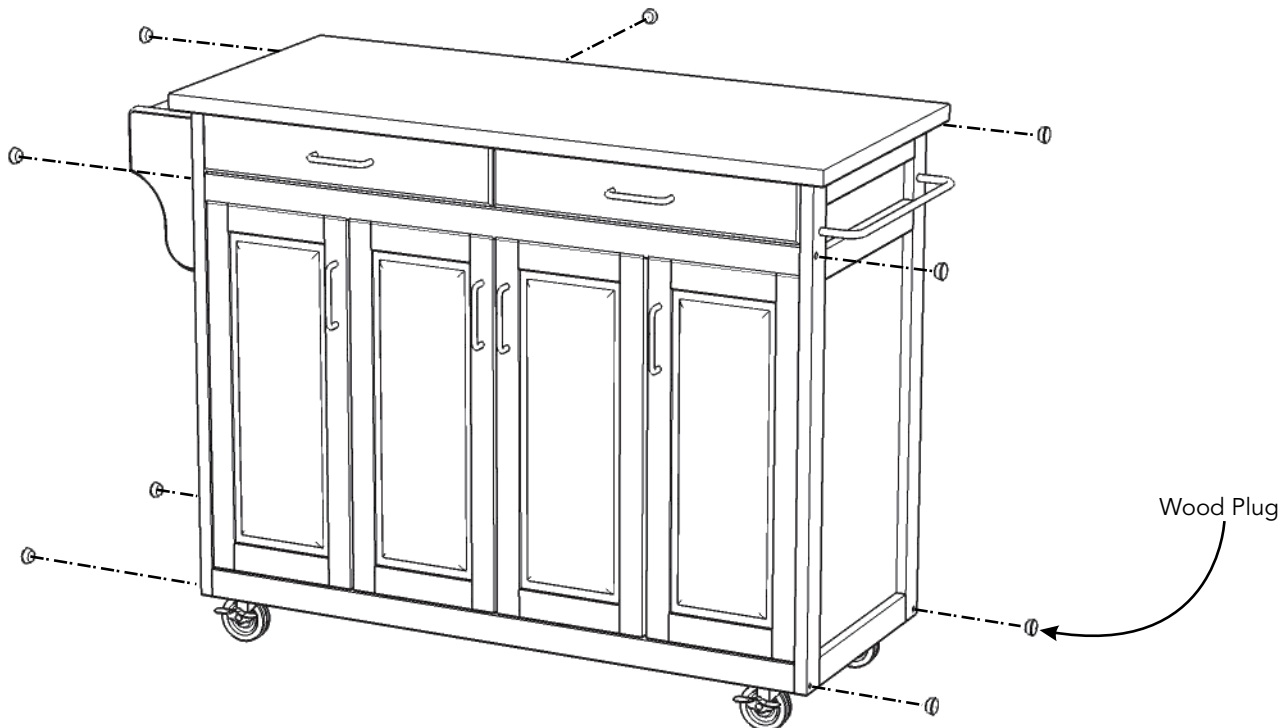
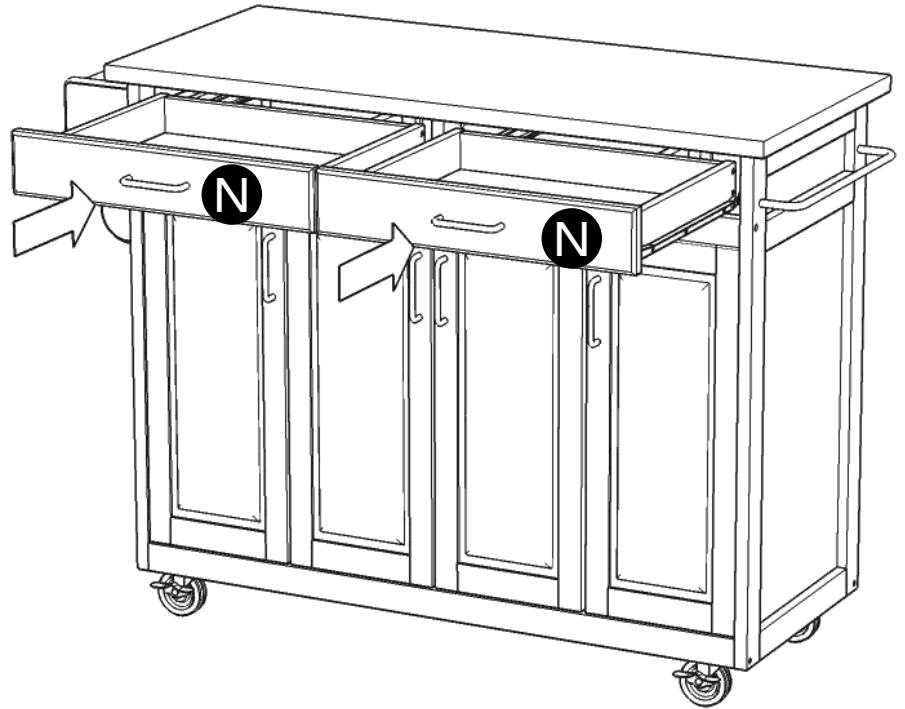
N4.
Drawer Side
2 pcs.



N5.
Drawer Bottom
2 pcs.

STEP 12

Slide Drawers (N) into position.



STEP 13

Cover all holes with Wood Plugs.
(See Figure 8)

Note: Supports (V) and Head Cap Bolts (middle) from 9100 Top carton are not used in this assembly.

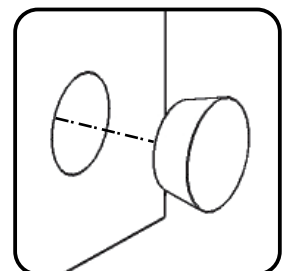


Figure 8

CARE INSTRUCTIONS

NEVER

allow liquids to remain on furniture.
Absorption causes parts to warp
and split and finishes to delaminate.

NEVER

use glass cleaners on
finished furniture. Ammonia
chemically attacks the finish.



Do not use power tools
above 8 volts to assemble.
**PREVENT
CRACKING**



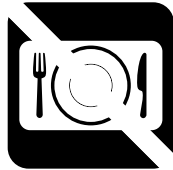
Do not place
in direct sunlight.
**PREVENT
FADING**



Do not write
directly on surface.
**PREVENT
MARKING**



Do not place hot
objects on surface.
**PREVENT
FINISH DAMAGE**



Do not use rubber
based placemats.
**PREVENT
DISCOLORING**



Do not use commercial
waxes and polishes.
**PREVENT
YELLOWING**

CLEAN

with a soft cloth moistened
in lukewarm soap and water.
Buff with a dry clean cloth.



Home Styles will provide replacements free of charge for missing or damaged hardware or parts within 30 days of purchase. Digital images of the defective parts may be required. If the product was not purchased from an authorized retail affiliate, Home Styles is under no obligation to provide replacement parts. Parts are not available for fully assembled items nor are parts available for sale. Replacements for missing or damaged hardware or parts may be requested at:

www.homestylesfurniture.com/customer-service/replacement-parts

Home Styles Customer Service: www.homestylesfurniture.com,
servicedesk@homestylesfurniture.com, 888-680-7460, 877-831-0319